

ALL GLAZING OPTIONS

TYROL STANDARD

TYROL PH+

3-SERIES

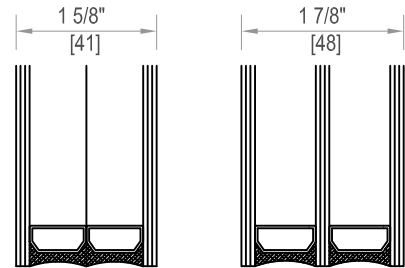
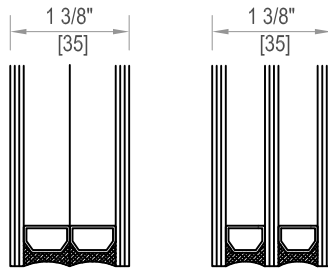
ARGON FILL



NOT AVAILABLE

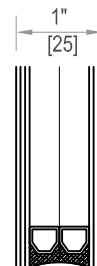
5 OR 6-SERIES

ARGON FILL



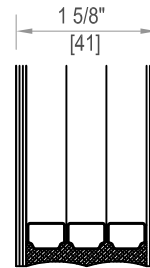
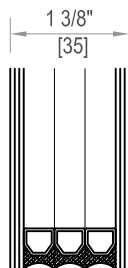
7-SERIES

KRYPTON FILL



9 OR 11-SERIES

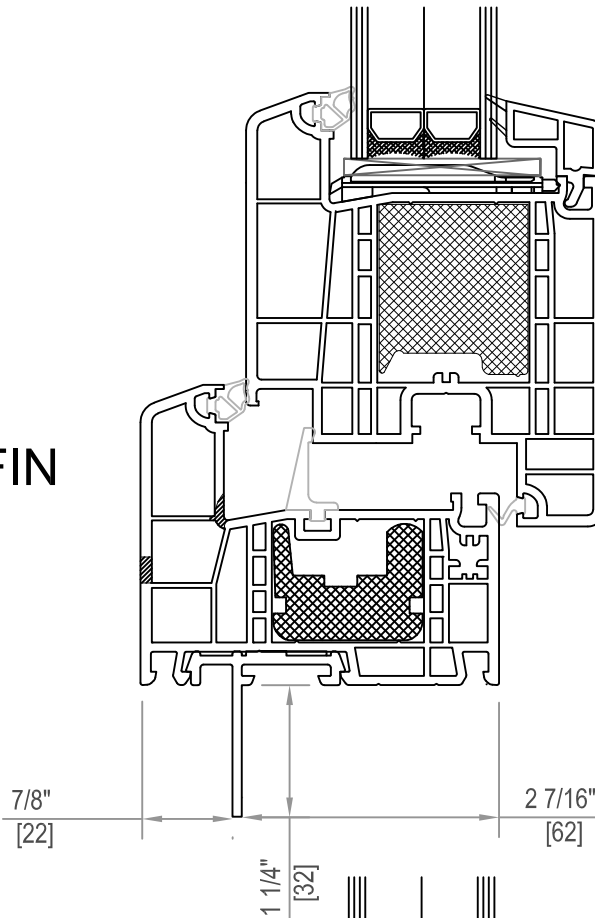
KRYPTON FILL



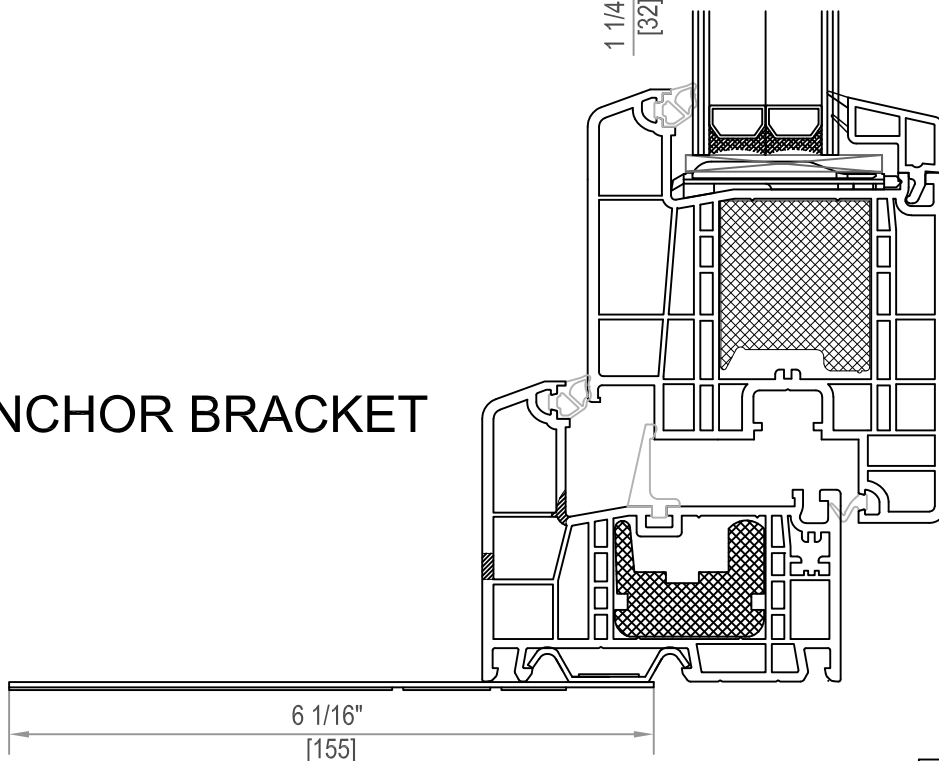
SCALE: NTS

INSWING DOOR WITH NAILING FIN AND ANCHOR BRACKET

NAILING FIN



ANCHOR BRACKET



SCALE: NTS

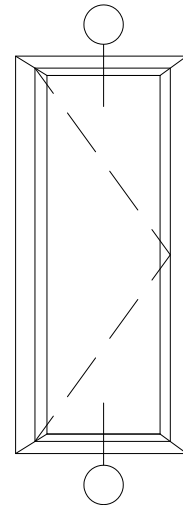
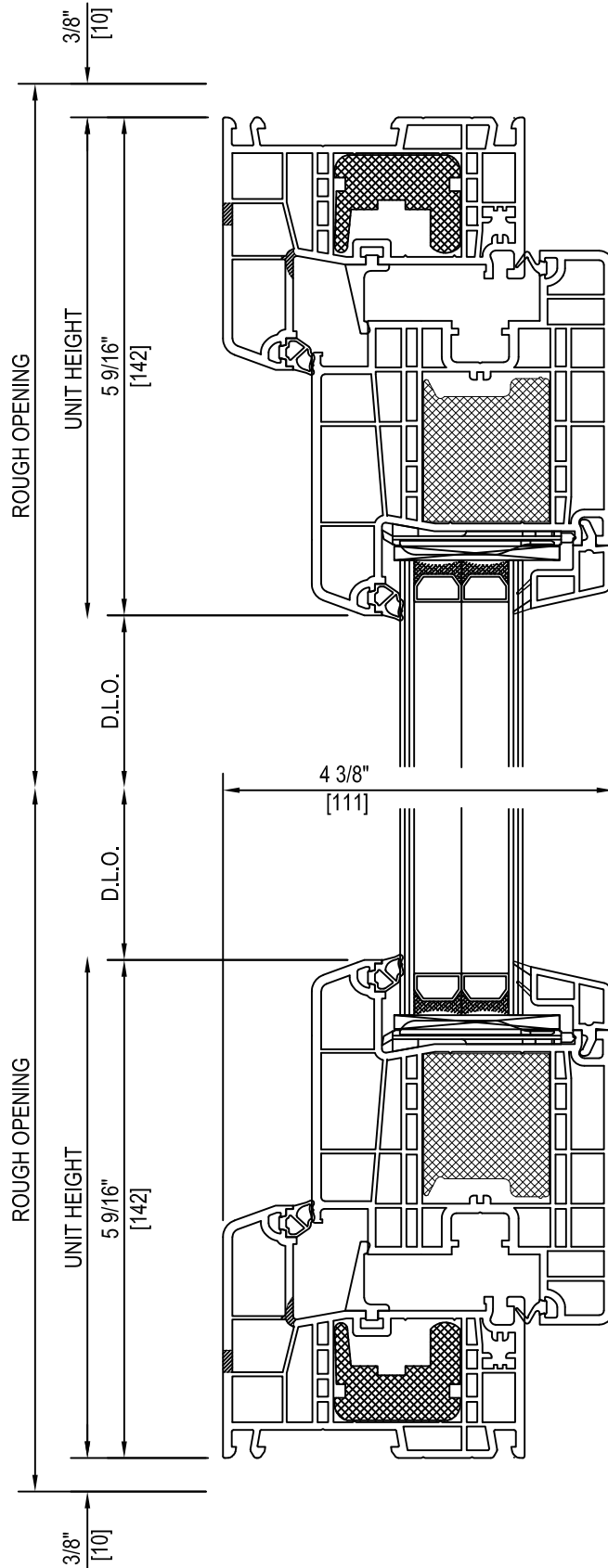
INSWING WITH STANDARD FRAME SILL

SECTION AT HEAD AND SILL

SERIES/GLAZING: TR-6

FRAME TYPE: STD

REINFORCEMENT: FRAME AND SASH, HINGE SIDE



SCALE: 6" = 1'-0"

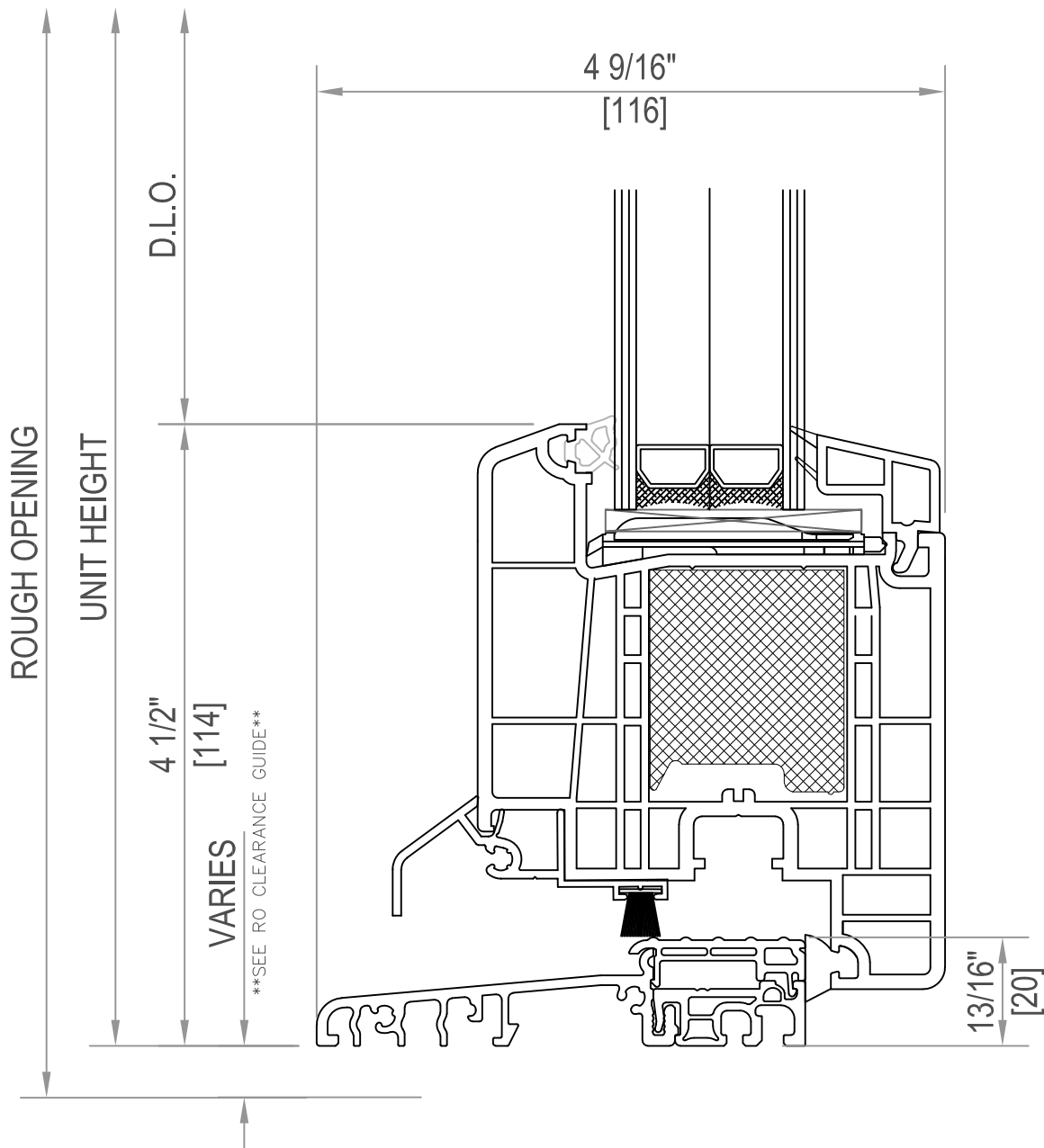
INSWING WITH LOW PROFILE SILL

SECTION AT SILL

SERIES/GLAZING: TR-6

FRAME TYPE: STD

REINFORCEMENT: FRAME AND SASH, HINGE SIDE



NTS

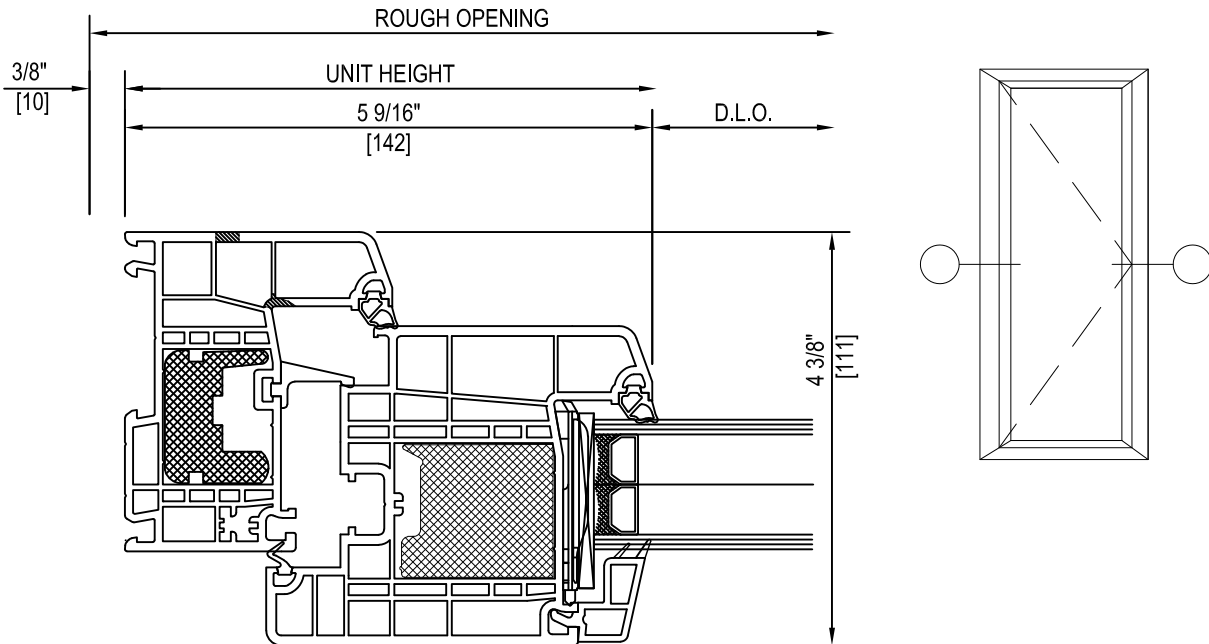
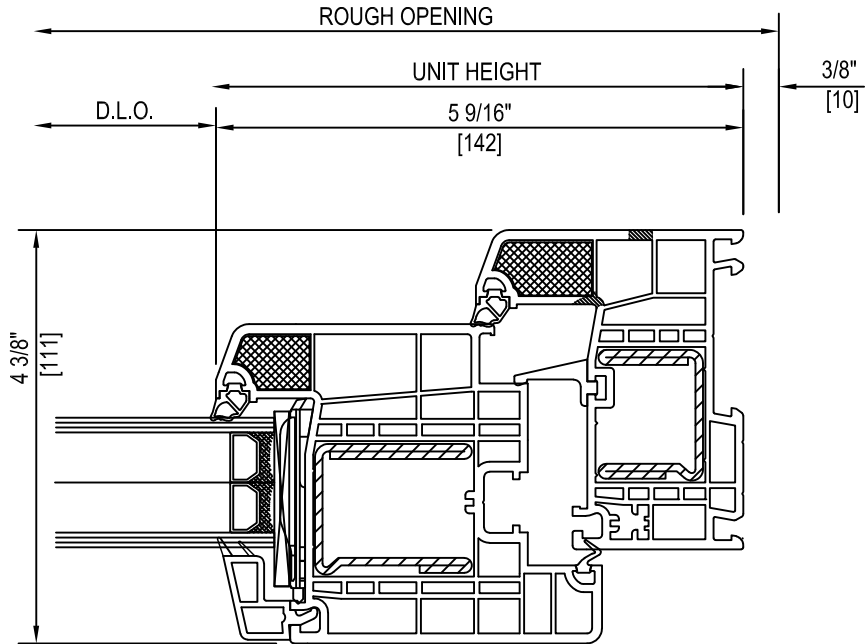
INSWING WITH STANDARD FRAME SILL

SECTION AT JAMBS

SERIES/GLAZING: TR-6

FRAME TYPE: STD

REINFORCEMENT: FRAME AND SASH, HINGE SIDE



SCALE: 6" = 1'-0"

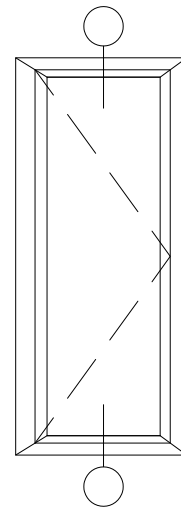
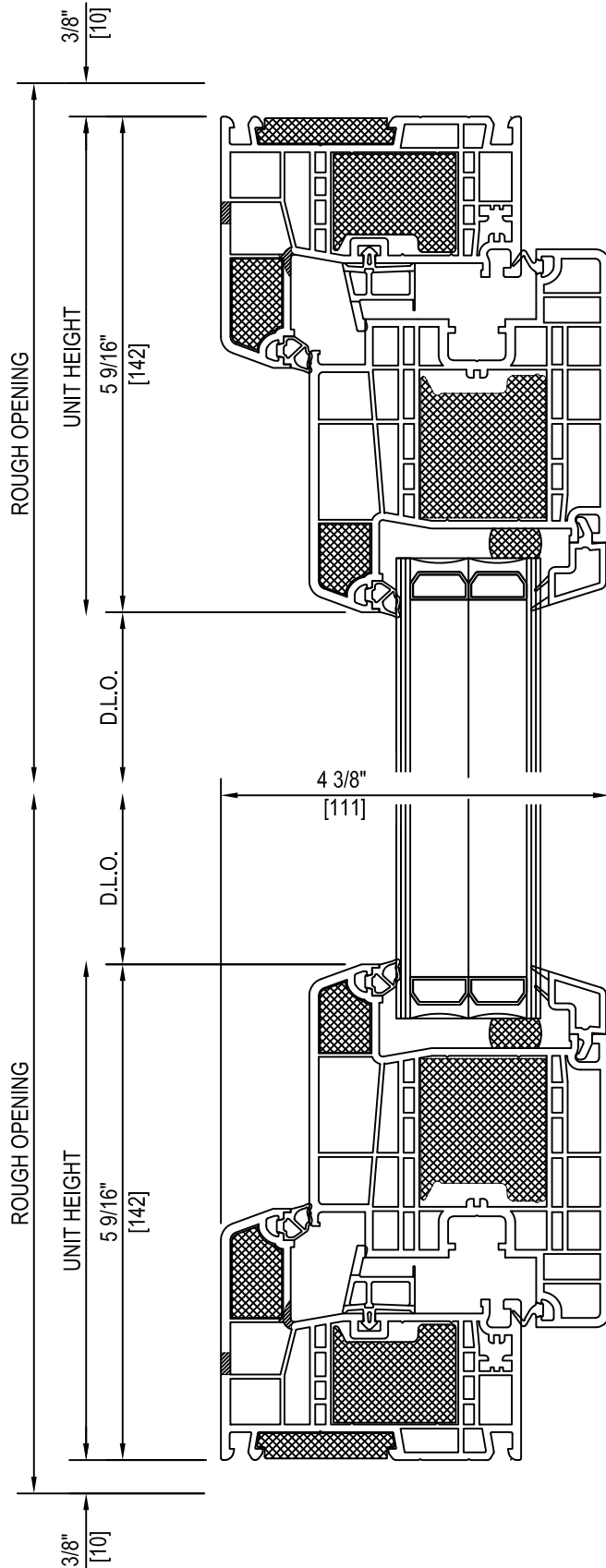
INSWING WITH STANDARD FRAME SILL

SECTION AT HEAD AND SILL

SERIES/GLAZING: TR-6 PH+

FRAME TYPE: PH+

REINFORCEMENT: FRAME AND SASH, HINGE SIDE



SCALE: 6" = 1'-0"

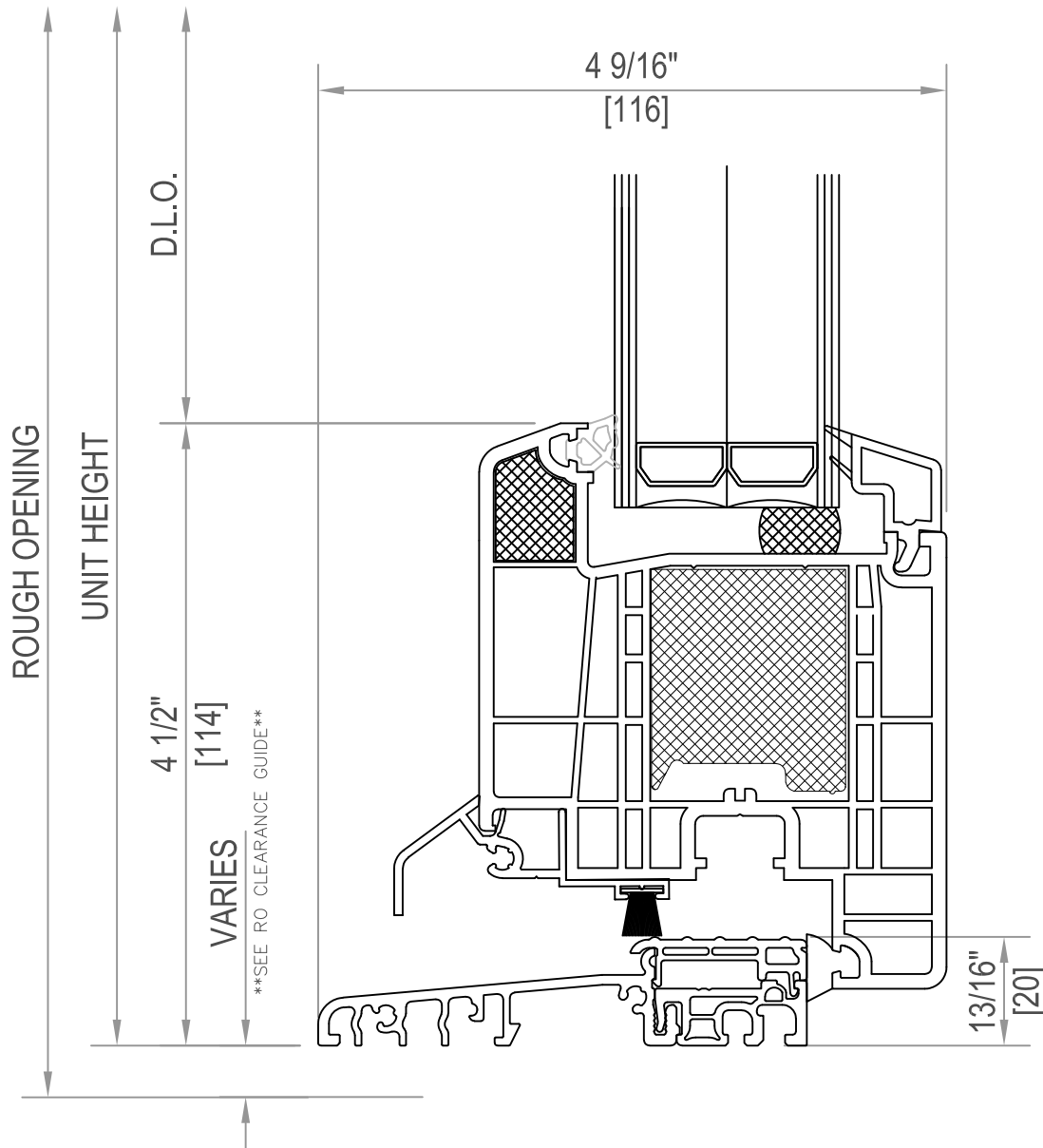
INSWING WITH LOW PROFILE SILL

SECTION AT SILL

SERIES/GLAZING: TR-6

FRAME TYPE: PH+

REINFORCEMENT: FRAME AND SASH, HINGE SIDE



NTS

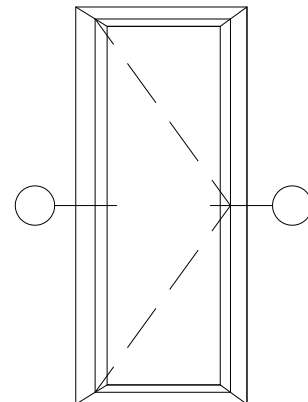
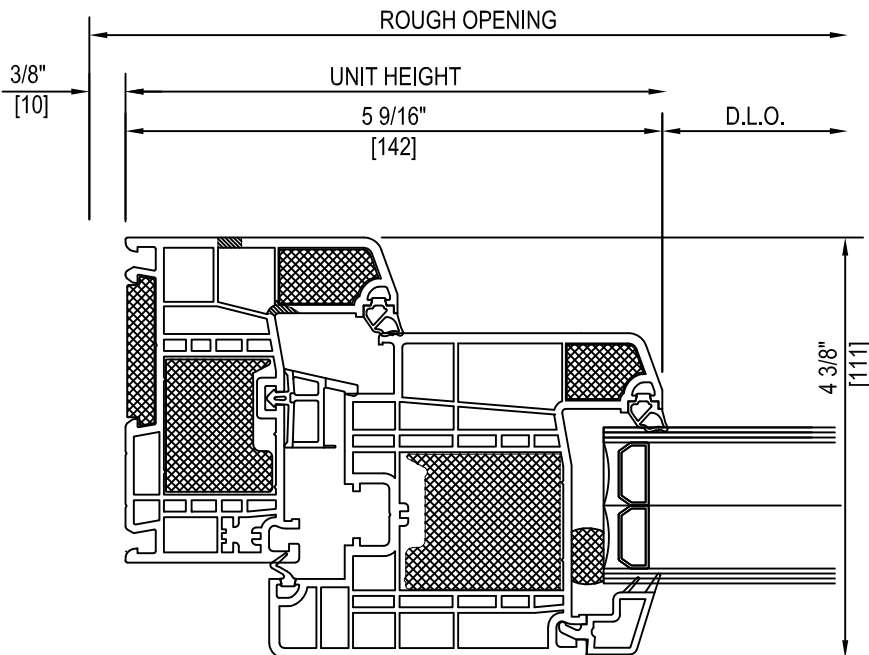
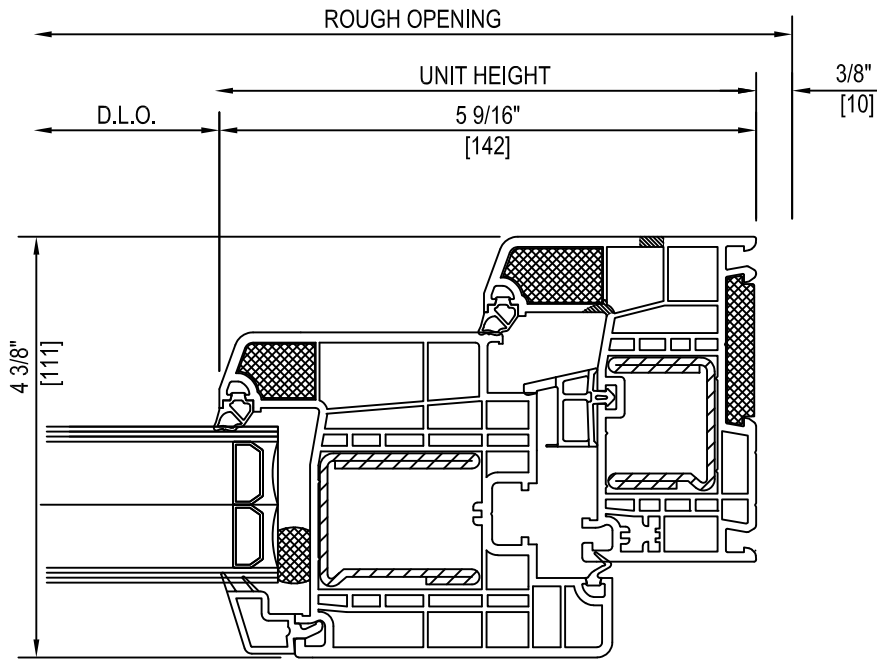
INSWING WITH STANDARD FRAME SILL

SECTION AT JAMBS

SERIES/GLAZING: TR-6 PH+

FRAME TYPE: PH+

REINFORCEMENT: FRAME AND SASH, HINGE SIDE



SCALE: 6" = 1'-0"

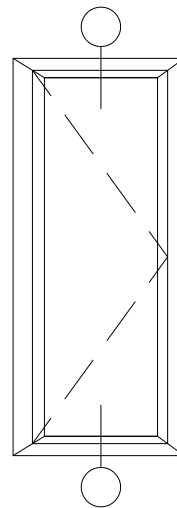
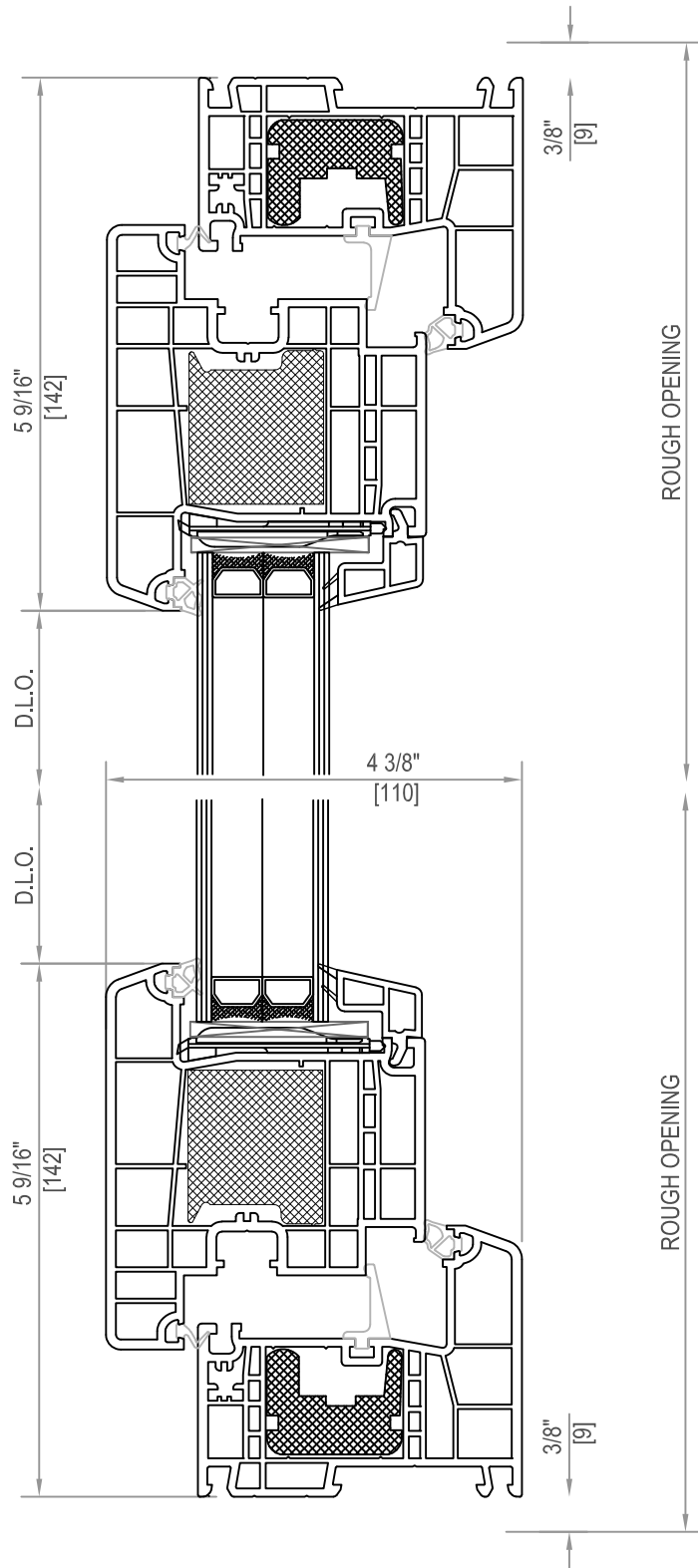
OUTSWING WITH STANDARD FRAME SILL

SECTION AT HEAD AND SILL

SERIES/GLAZING: TR-6

FRAME TYPE: STD

REINFORCEMENT: FRAME AND SASH, HINGE SIDE



6" = 1'-0"

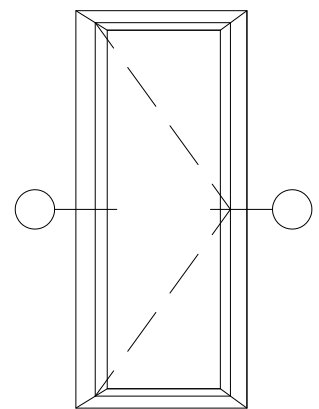
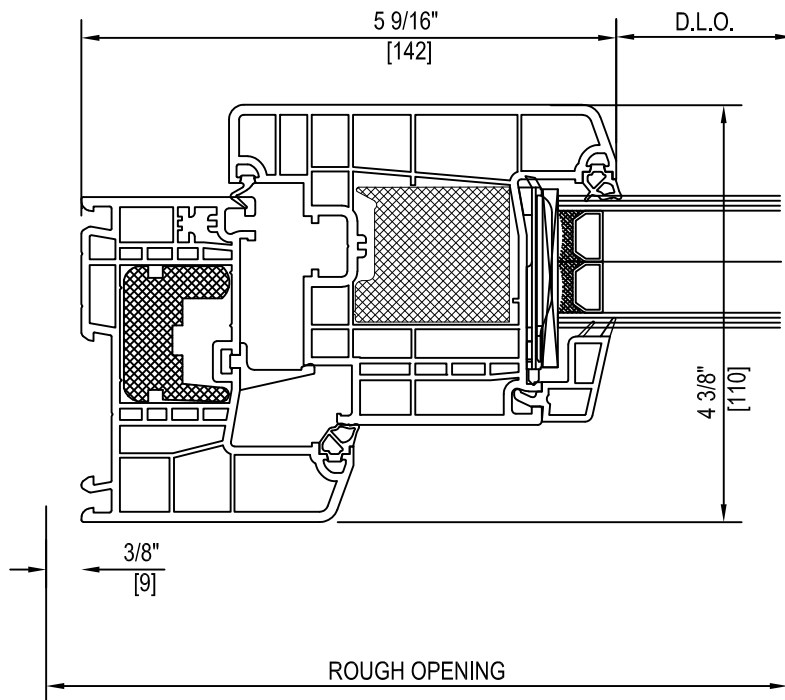
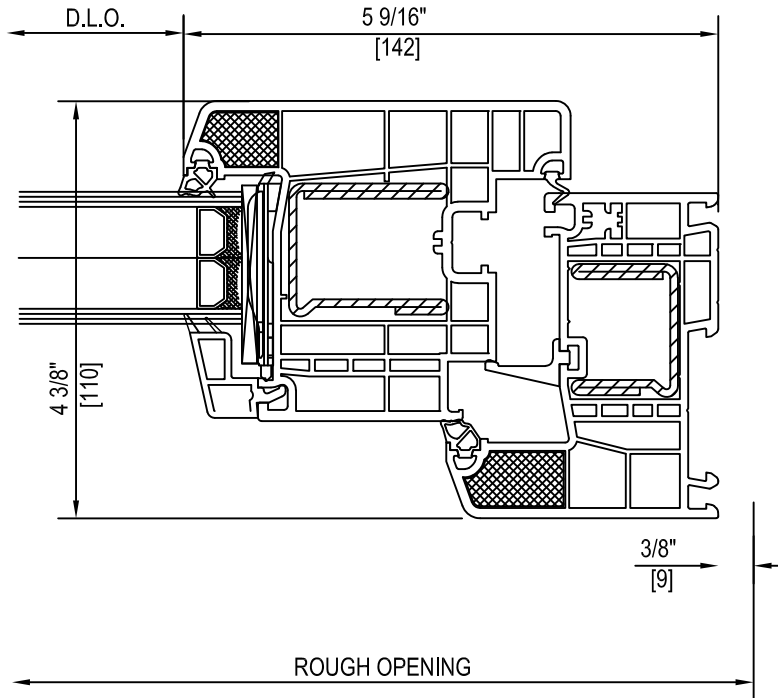
OUTSWING WITH STANDARD FRAME SILL

SECTION AT JAMBS

SERIES/GLAZING: TR-6

FRAME TYPE: STD

REINFORCEMENT: FRAME AND SASH, HINGE SIDE



SCALE: 6" = 1'-0"

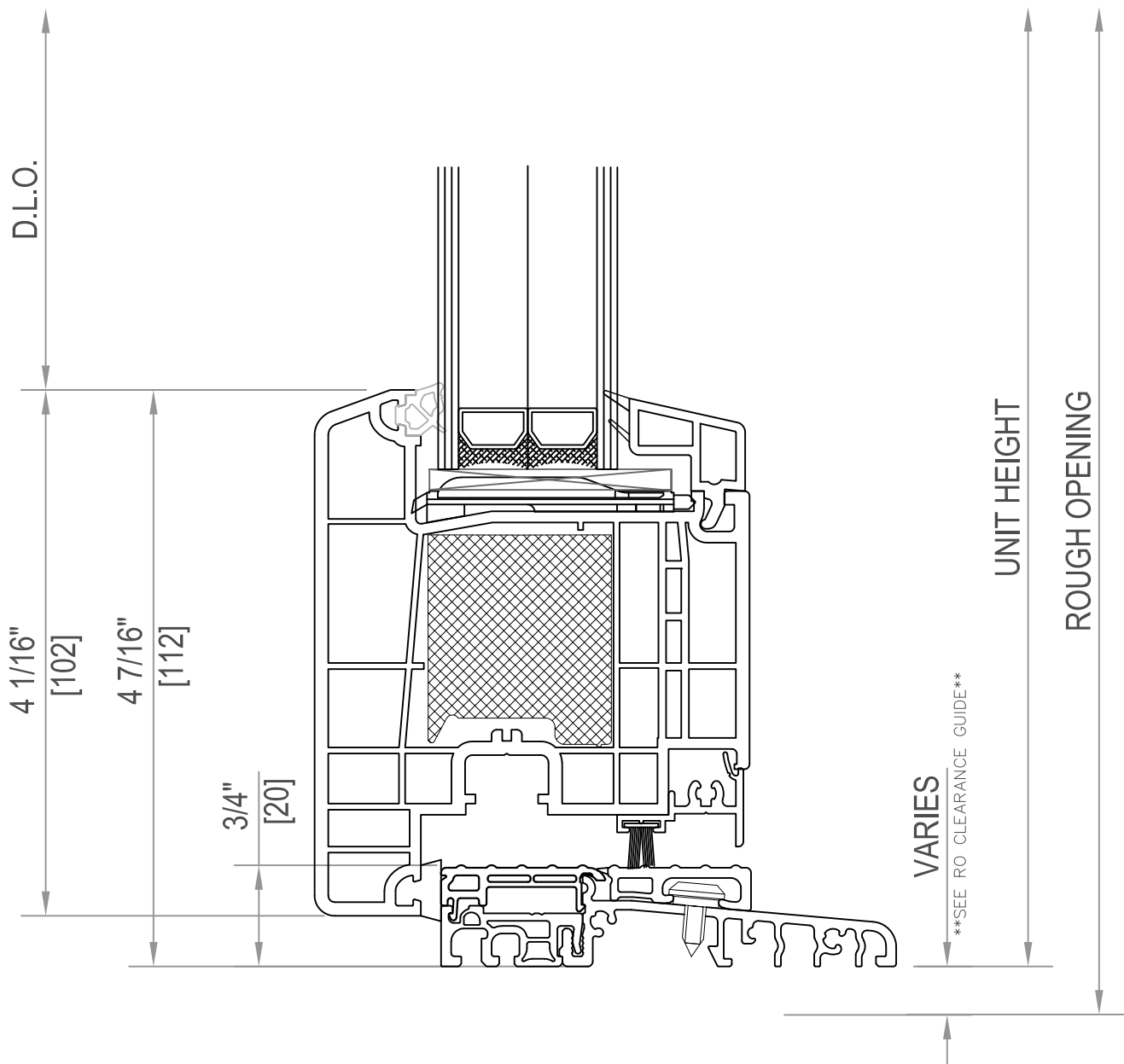
OUTSWING WITH LOW PROFILE SILL

SECTION AT SILL

SERIES/GLAZING: TR-6

FRAME TYPE: STD

REINFORCEMENT: FRAME AND SASH, HINGE SIDE



NTS

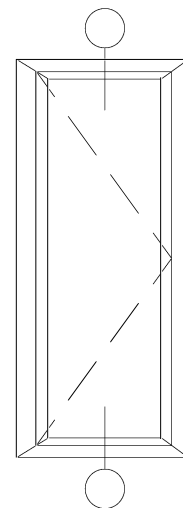
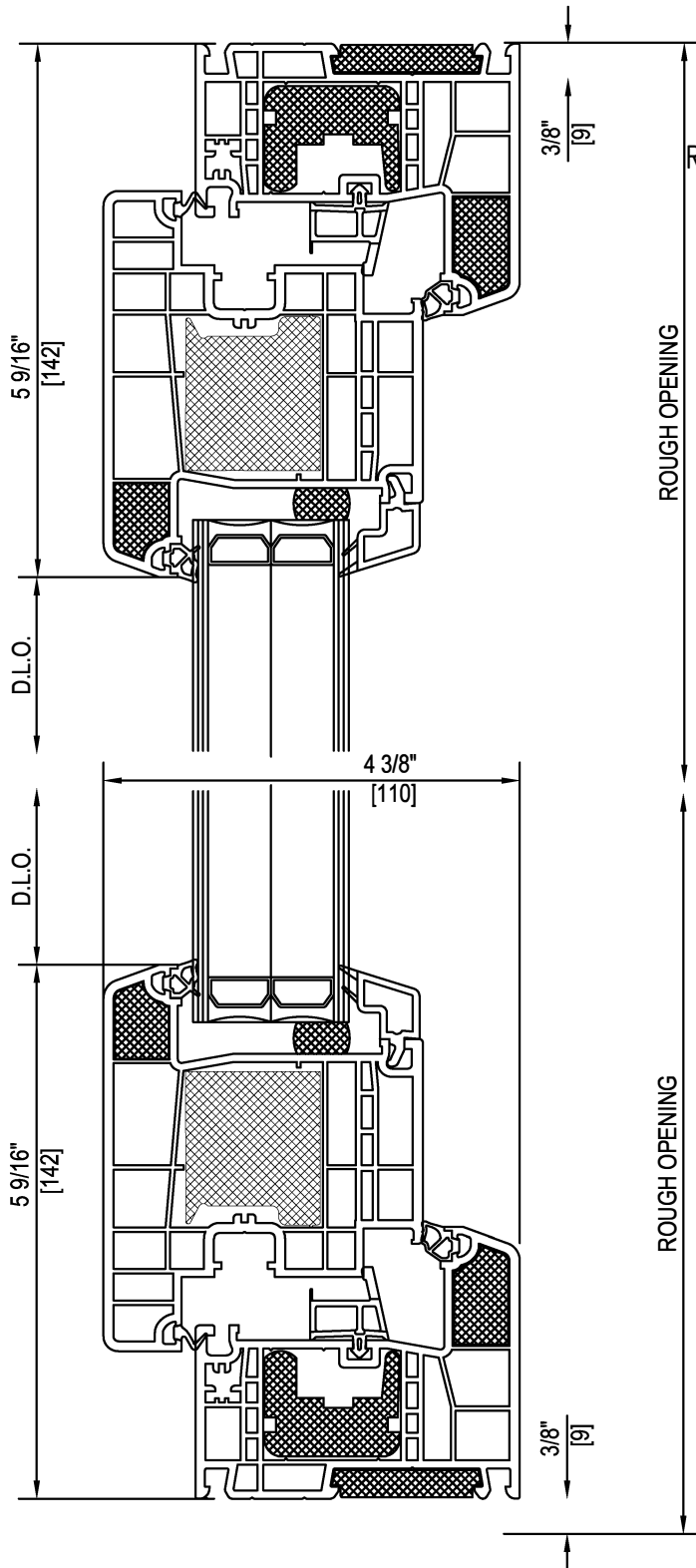
OUTSWING WITH STANDARD FRAME SILL

SECTION AT JAMBS

SERIES/GLAZING: TR-6 PH+

FRAME TYPE: PH+

REINFORCEMENT: FRAME AND SASH, HINGE SIDE



SCALE: 6" = 1'-0"

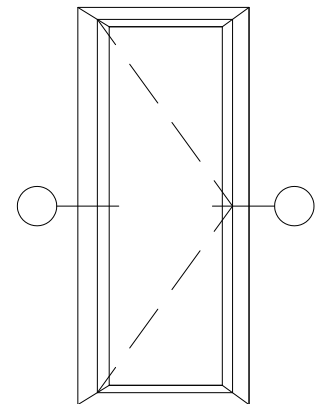
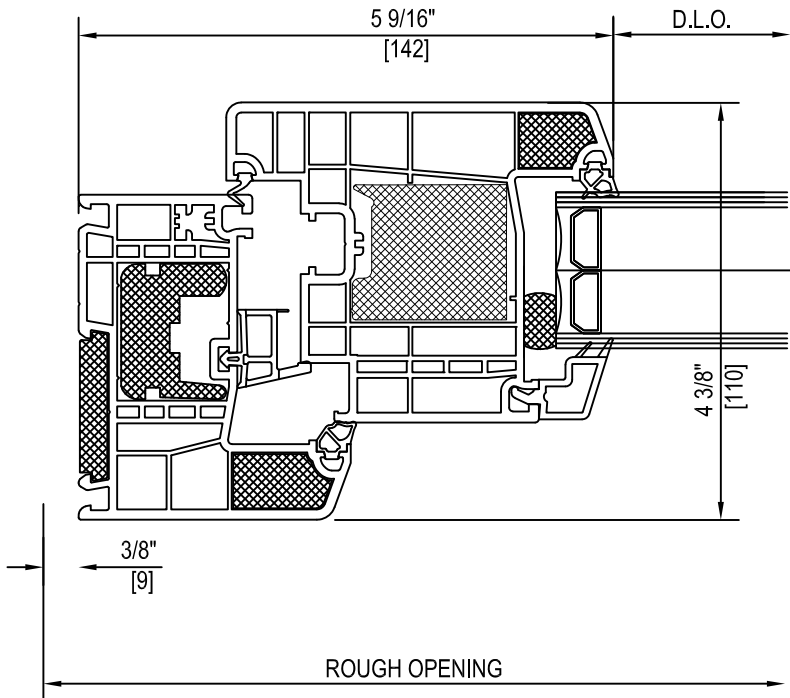
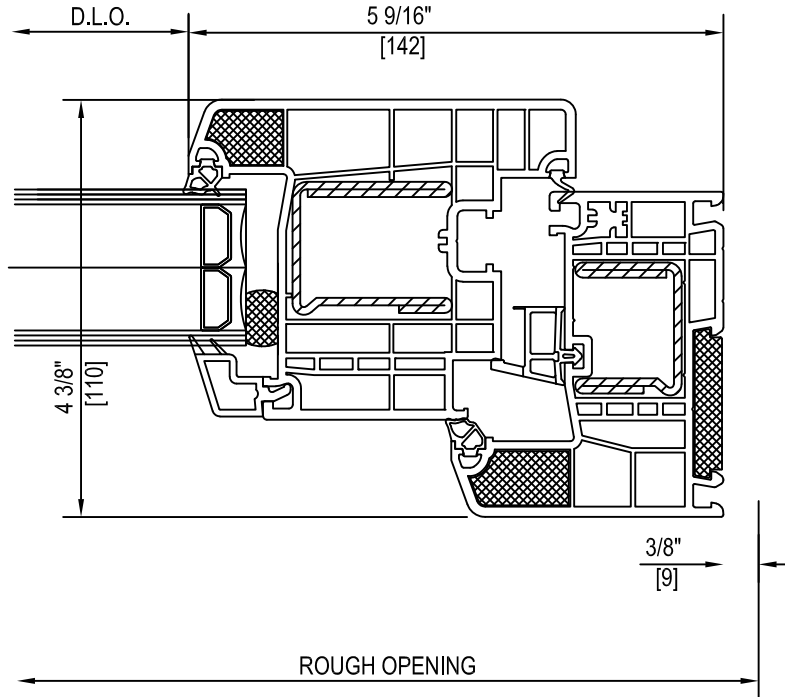
OUTSWING WITH STANDARD FRAME SILL

SECTION AT JAMBS

SERIES/GLAZING: TR-6 PH+

FRAME TYPE: PH+

REINFORCEMENT: FRAME AND SASH, HINGE SIDE



SCALE: 6" = 1'-0"

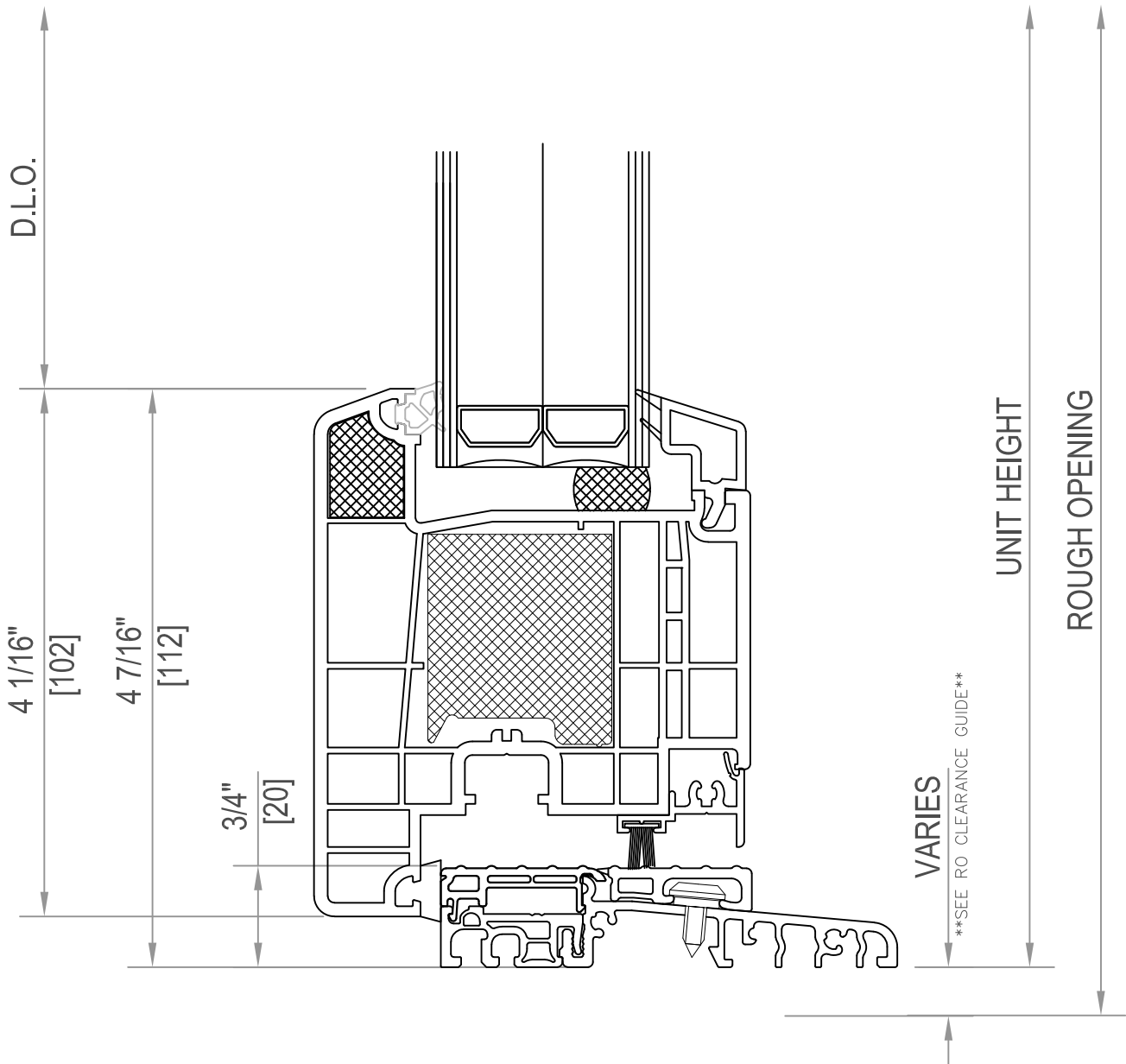
OUTSWING WITH LOW PROFILE SILL

SECTION AT SILL

SERIES/GLAZING: TR-6 PH+

FRAME TYPE: PH+

REINFORCEMENT: FRAME AND SASH, HINGE SIDE



VARIES
SEE RO CLEARANCE GUIDE

NTS