

ALL GLAZING OPTIONS

TYROL STANDARD

TYROL PH+

3-SERIES

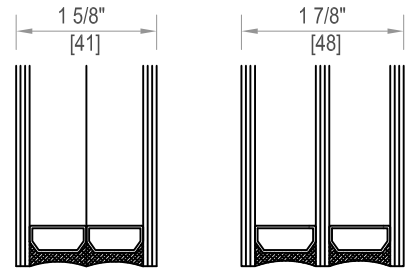
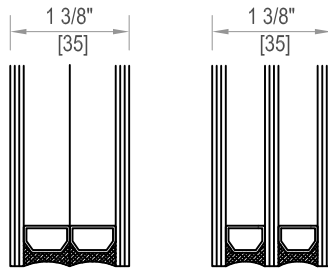
ARGON FILL



NOT AVAILABLE

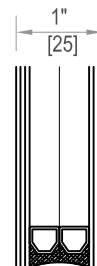
5 OR 6-SERIES

ARGON FILL



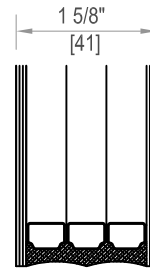
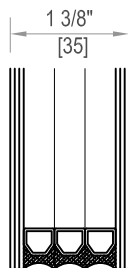
7-SERIES

KRYPTON FILL



9 OR 11-SERIES

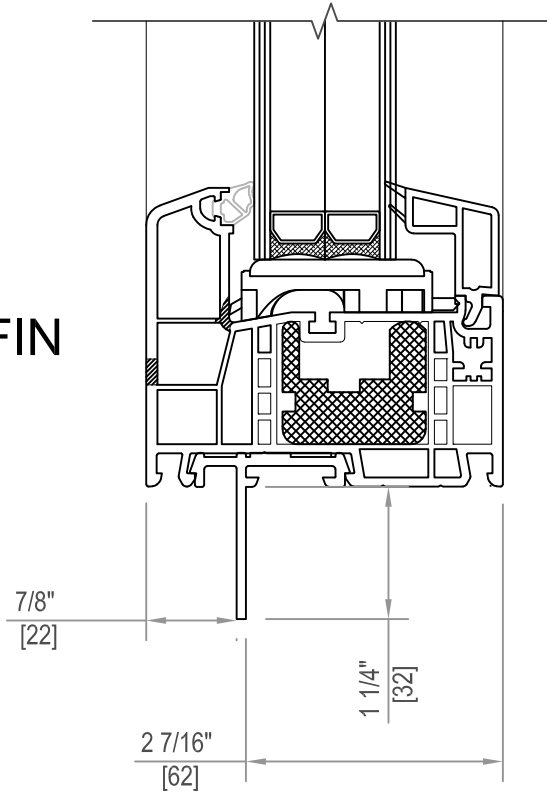
KRYPTON FILL



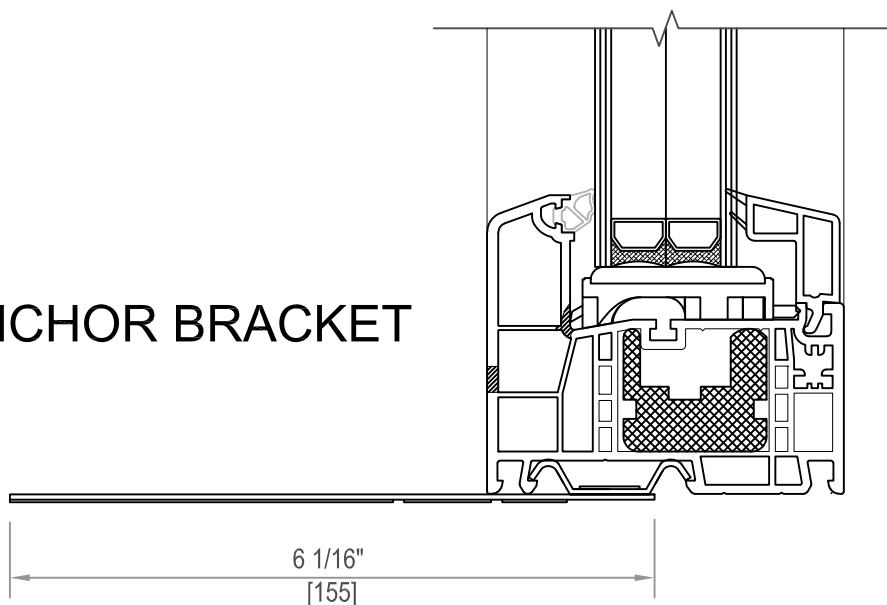
SCALE: NTS

FIXED WITH NAILING FIN AND ANCHOR BRACKET

NAILING FIN



ANCHOR BRACKET

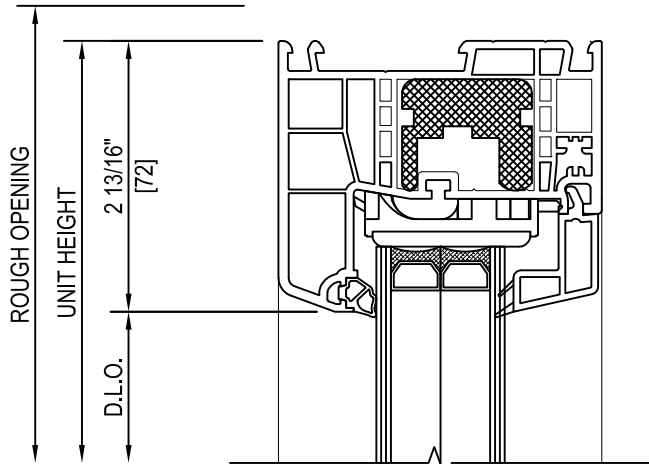


SCALE: NTS

SECTION AT JAMBS, HEAD, SILL

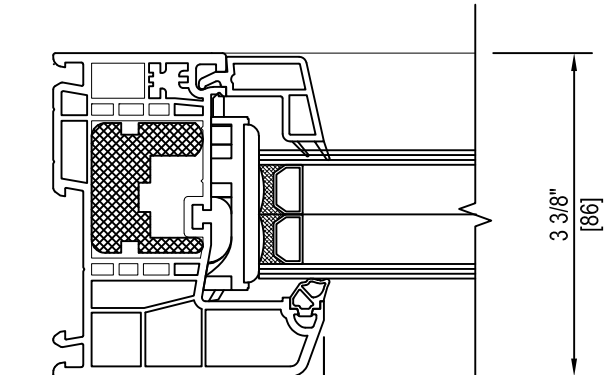
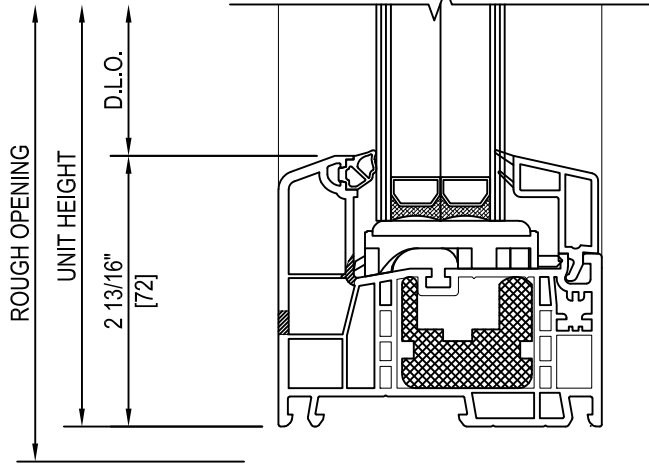
SERIES/GLAZING: TR-6

FRAME TYPE: STD



3 3/8" [86]

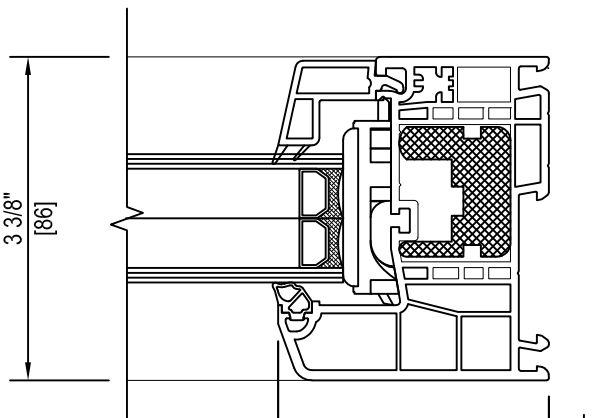
3 3/8" [86]



2 13/16" [72] UNIT WIDTH

ROUGH OPENING

3 3/8" [86]



D.L.O. 2 13/16" [72] UNIT WIDTH

ROUGH OPENING

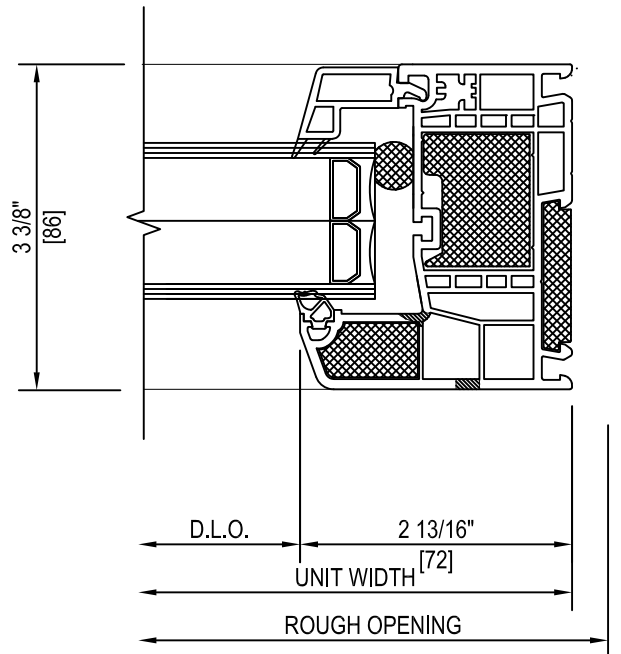
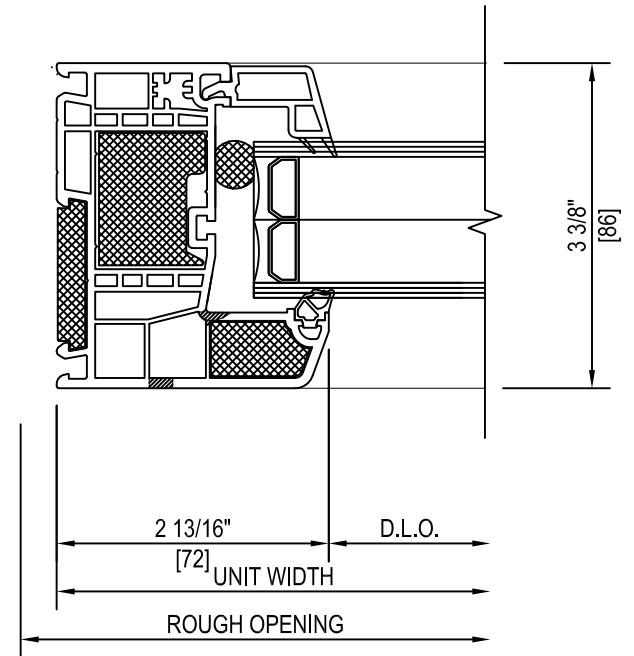
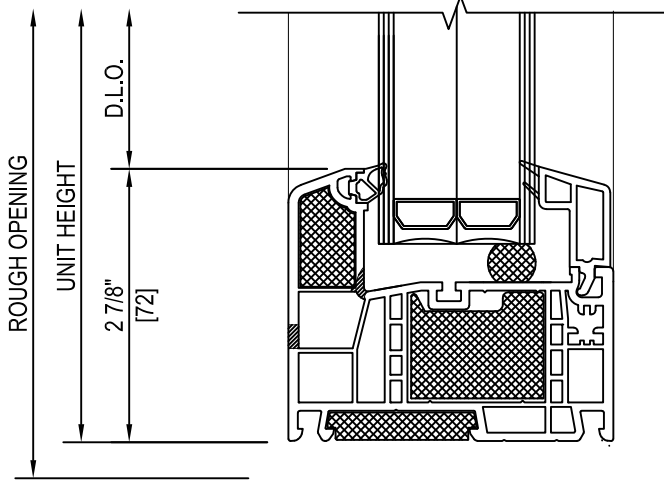
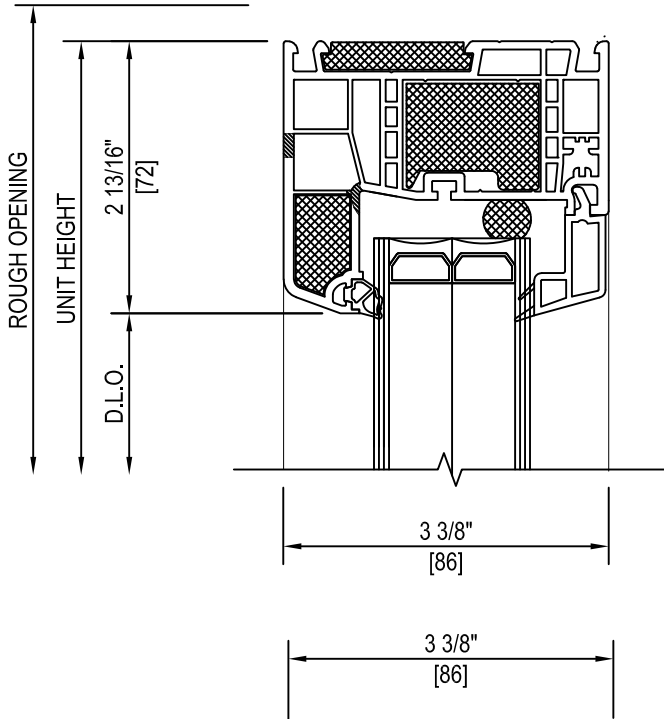
3 3/8" [86]

SCALE: 6" = 1'-0"

SECTION AT JAMBS, HEAD, SILL

SERIES/GLAZING: TR-6 PH+

FRAME TYPE: PH+



SCALE: 6" = 1'-0"